

## Wall Industries, Inc.

---

### LANEUW2H SERIES

---

**4:1 Input Voltage Ranges: 9-36VDC & 18-72VDC**  
**0.86" x 0.36" x 0.44" SIP Package**  
**3000VDC I/O Isolation Voltage, Regulated Single & Dual Outputs**  
**2 Watt DC/DC Power Converters**

---



---

#### FEATURES

- 2 Watts Maximum Output Power
- Regulated Single and Dual Outputs
- 4:1 Input Voltage Ranges: 9-36VDC & 18-72VDC
- 0.86 x 0.36 x 0.44 Inch SIP Package
- Industry Standard Pin-out
- Internal SMD Construction
- -40°C to +85°C Operating Temperature Range
- Switching Frequency (200KHz, min)
- Continuous Short Circuit Protection
- RoHS Compliant
- High Efficiency up to 80%
- 3000VDC I/O Isolation
- Low Ripple & Noise
- Free Air Convection

---

#### DESCRIPTION

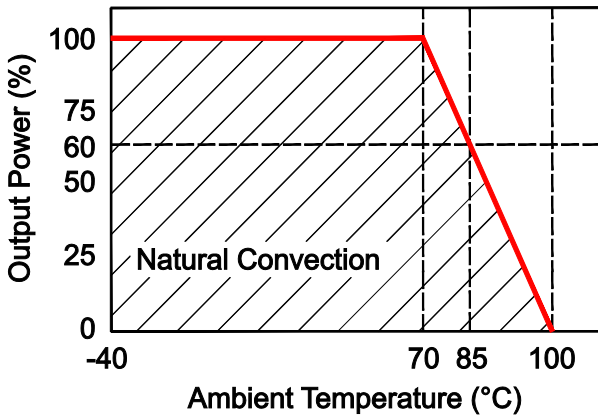
The LANEUW2H series of DC/DC power converters provides 2 Watts of output power in a 0.86" x 0.36" x 0.44" SIP package. This series has regulated single and dual output models with 4:1 ultra wide input voltage ranges of 9-36VDC and 18-72VDC. Some features include high efficiency up to 80%, low ripple and noise, 3000VDC I/O isolation, and continuous short circuit protection. All models in this series are RoHS compliant.

SPECIFICATIONS: LANEUW2H Series					
All specifications are based on 25°C, Nominal Input Voltage, and Maximum Output Current unless otherwise noted. We reserve the right to change specifications based on technological advances.					
SPECIFICATION	TEST CONDITIONS	Min	Nom	Max	Unit
<b>INPUT SPECIFICATIONS</b>					
Input Voltage Range	24VDC nominal input models	9	24	36	VDC
	48VDC nominal input models	18	48	72	
Input Filter		Capacitor type			
<b>OUTPUT SPECIFICATIONS</b>					
Output Voltage		See Table			
Voltage Tolerance	Full load	-3		+3	%
Line Regulation	Regulated	-0.5		+0.5	%
Load Regulation	Regulated	-0.8		+0.8	%
Output Power				2	W
Output Current		See Table			
Ripple & Noise (20MHz Bandwidth)	3.3VDC, 5VDC, & 9VDC output models		100		mVp-p
	12VDC & 15VDC output models		1		% Vout
Transient Response Setting Time	25% load step change		350		µs
<b>PROTECTION</b>					
Short Circuit Protection		continuous			
<b>GENERAL SPECIFICATIONS</b>					
Efficiency	Nominal Vin and full load	See Table			
Switching Frequency	Full load, nominal input		200		KHz
Isolation Voltage (Input to Output)		3000			VDC
Isolation Resistance	500VDC	1000			MΩ
<b>ENVIRONMENTAL SPECIFICATIONS</b>					
Operating Ambient Temperature		-40		+85	°C
Relative Humidity (non-condensing)				95	% RH
Cooling		Free air convection			
MTBF	MIL-HDBK-217F at 25°C			1,500,000	hours
<b>PHYSICAL SPECIFICATIONS</b>					
Case Material		DAP			
Weight		0.16oz (4.5g)			
Dimensions (L x W x H)		0.86 x 0.36 x 0.44 inches (21.8 x 9.2 x 11.1 mm)			

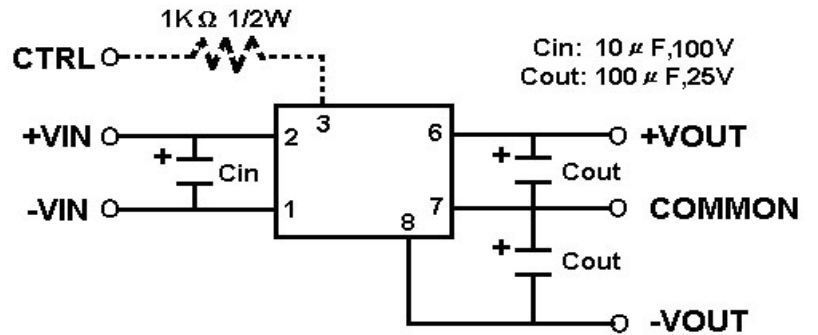
\*Due to advances in technology, specifications are subject to change without notice.

MODEL SELECTION TABLE					
SINGLE OUTPUT MODELS					
Model Number	Input Voltage	Output Voltage	Output Current	Efficiency	Output Power
LANEUW2433R2H	24 VDC (9 – 36 VDC)	3.3 VDC	500mA	70%	1.65W
LANEUW2405R2H		5 VDC	400mA	75%	2W
LANEUW2409R2H		9 VDC	222mA	75%	2W
LANEUW2412R2H		12 VDC	167mA	80%	2W
LANEUW2415R2H		15 VDC	133mA	80%	2W
LANEUW4833R2H	48 VDC (18 – 72 VDC)	3.3 VDC	500mA	70%	1.65W
LANEUW4805R2H		5 VDC	400mA	75%	2W
LANEUW4809R2H		9 VDC	222mA	75%	2W
LANEUW4812R2H		12 VDC	167mA	80%	2W
LANEUW4815R2H		15 VDC	133mA	80%	2W
DUAL OUTPUT MODELS					
Model Number	Input Voltage	Output Voltage	Output Current	Efficiency	Output Power
LANEUW2405RD2H	24 VDC (9 – 36 VDC)	±5 VDC	±200mA	75%	2W
LANEUW2409RD2H		±9 VDC	±111mA	75%	2W
LANEUW2412RD2H		±12 VDC	±83mA	80%	2W
LANEUW2415RD2H		±15 VDC	±67mA	80%	2W
LANEUW4805RD2H		48 VDC (18 – 72 VDC)	±5 VDC	±200mA	75%
LANEUW4809RD2H	±9 VDC		±111mA	75%	2W
LANEUW4812RD2H	±12 VDC		±83mA	80%	2W
LANEUW4815RD2H	±15 VDC		±67mA	80%	2W

**DERATING CURVE**

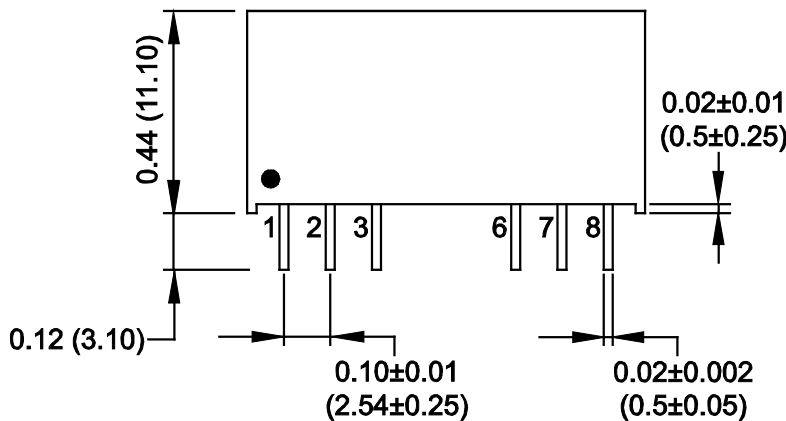
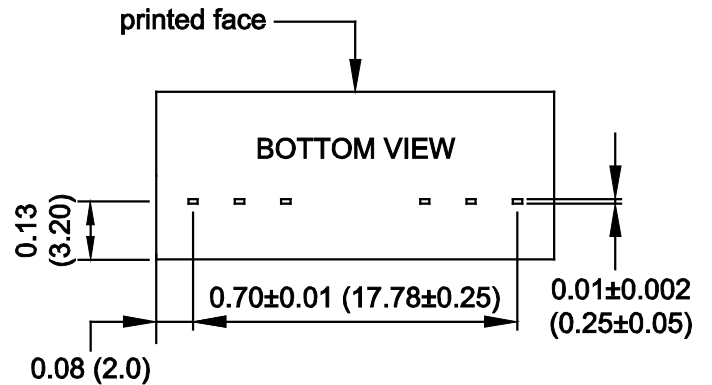
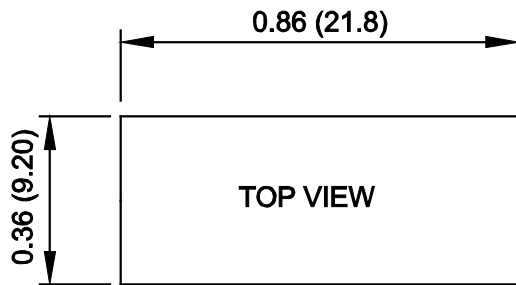


**RECOMMENDED TEST CIRCUIT**



**MECHANICAL DRAWING**

Unit: inches (mm)



Tolerance:  $\pm 0.02$  ( $\pm 0.5$ ) unless otherwise specified

PIN CONNECTIONS		
Pin	Single	Dual
1	-Vin	-Vin
2	+Vin	+Vin
3	CTRL (can be left open)	CTRL (can be left open)
6	+Vout	+Vout
7	-Vout	Com
8	NC	-Vout

*All dimensions are for reference only*

## COMPANY INFORMATION

Wall Industries, Inc. has created custom and modified units for over 50 years. Our in-house research and development engineers will provide a solution that exceeds your performance requirements on-time and on budget. Our ISO9001: 2015 certification is just one example of our commitment to producing a high quality, well-documented product for our customers.

Our past projects demonstrate our commitment to you, our customer. Wall Industries, Inc. has a reputation for working closely with its customers to ensure each solution meets or exceeds form, fit and function requirements. We will continue to provide ongoing support for your project above and beyond the design and production phases. Give us a call today to discuss your future projects.

Contact **Wall Industries** for further information:

Phone: ☎ (603)778-2300  
Toll Free: ☎ (888)597-9255  
Fax: ☎ (603)778-9797  
E-mail: [sales@wallindustries.com](mailto:sales@wallindustries.com)  
Web: [www.wallindustries.com](http://www.wallindustries.com)  
Address: 37 Industrial Drive  
Exeter, NH 03833

©2019 Wall Industries, Inc. Specifications subject to change without notice. Wall Industries is not responsible for typographical errors. The information contained herein is for informational purposes only. This information is provided by Wall Industries and we make no representations or warranties of any kind, express or implied, about the completeness, accuracy, reliability, suitability or availability with respect to the information contained in this document for any purpose. All product and manufacturer names are trademarks or registered trademarks of their respective companies.